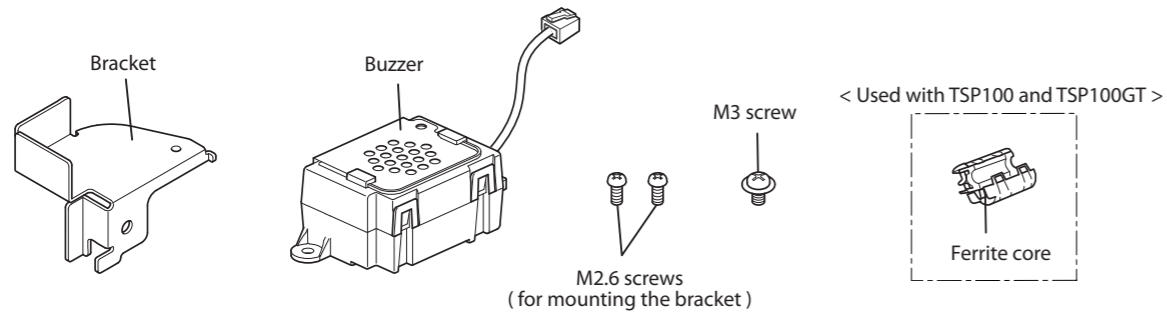


## ■ For TSP100 Series / TSP650

### 1. Parts :

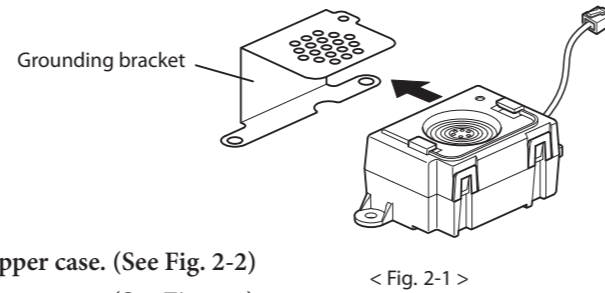


### 2. Mounting procedures :

**Note :** Ensure that power that is supplied to the printer and that all devices connected to the printer have been switched OFF and that the cables have been unplugged before starting the modification.

#### 2-1. Removing the grounding bracket

Slide the grounding bracket to remove it. (See Fig. 2-1)



#### 2-2. Removing the buzzer cover

Remove the four clips on the bottom case to remove the upper case. (See Fig. 2-2)

Remove the two screws to remove the buzzer from the bottom case. (See Fig. 2-2)

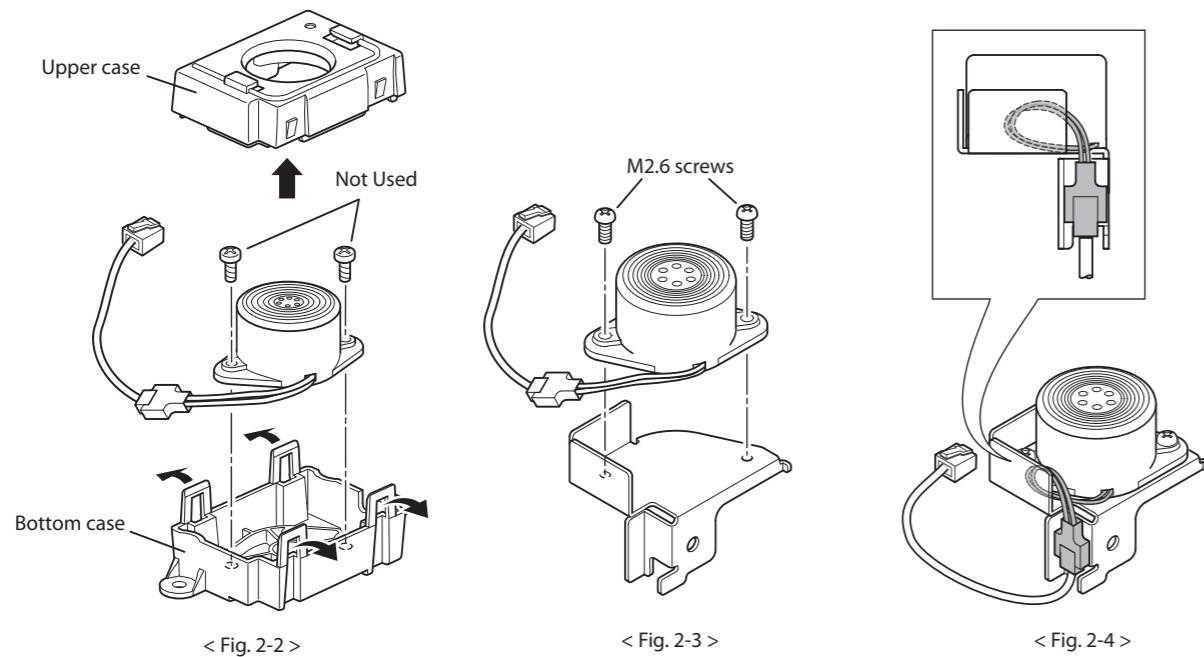
**Note :** These screws are not used.

#### 2-3. Mounting the bracket

Mount the buzzer unit to the bracket. Then tighten the two screws that were supplied to secure it in place. (See Fig. 2-3)

#### 2-4. Storing the Cable

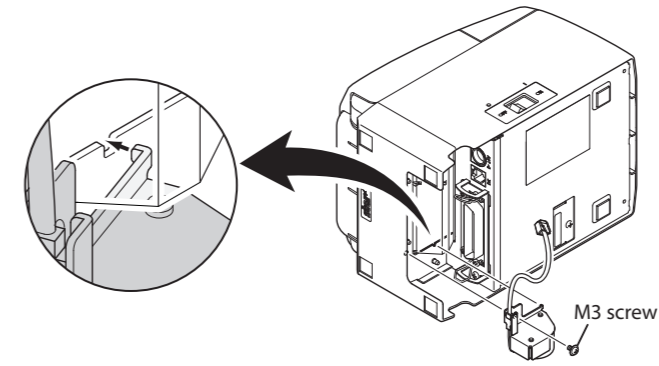
Store the connector of the user cable in the bracket as shown in the drawing. (See Fig. 2-4)



### 2-5. Installing the Buzzer

Install by hanging the bracket claw on the printer. Tighten the screw.

**Note :** When attaching the bracket, be careful not to get the buzzer cable caught.



### 2-6. Connecting the buzzer cable

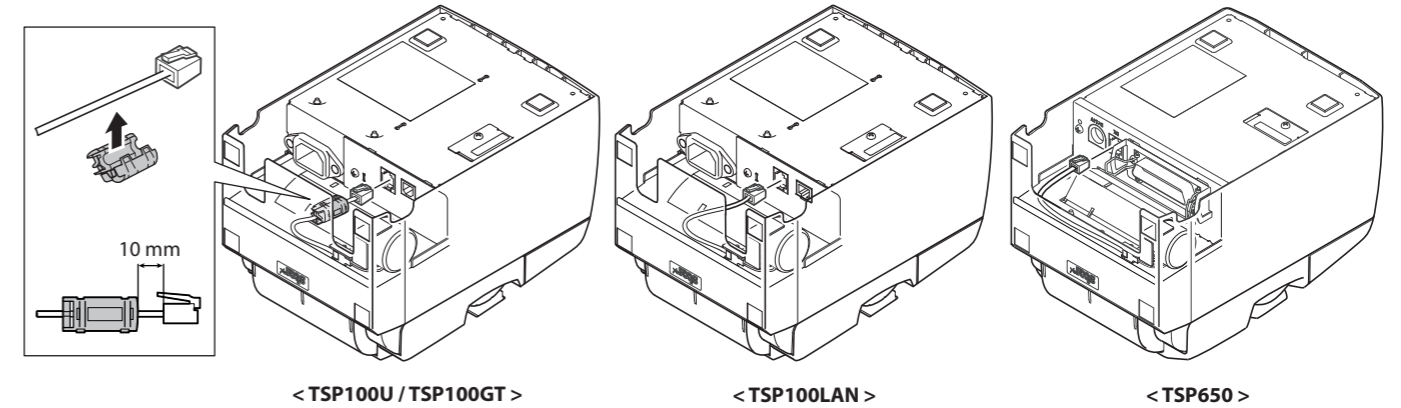
If you have a TSP100U or TSP100GT, attach the ferrite core to the buzzer cable.

Plug the buzzer cable into the peripheral drive connector on the back of the printer.

This completes the mounting work.

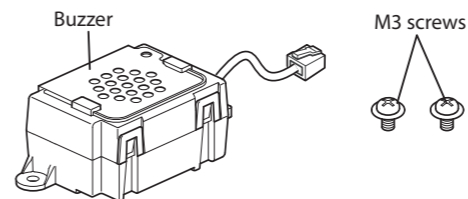
**Note :** Attach the ferrite core in the direction shown in the drawing if you have a TSP100U or TSP100GT.

The ferrite core is not necessary on models other than TSP100U or TSP100GT.



## ■ For SP700

### 1. Parts :



### 2. Mounting procedures :

**Note :** Ensure that power that is supplied to the printer and that all devices connected to the printer have been switched OFF and that the cables have been unplugged before starting the modification.

#### 2-1. Connecting the buzzer cable

Plug the buzzer cable into the peripheral drive connector on the back of the printer.

#### 2-2. Mounting the buzzer unit

Mount the buzzer unit to the printer. Then tighten the two screws that were supplied to secure it in place. This completes the mounting work.

