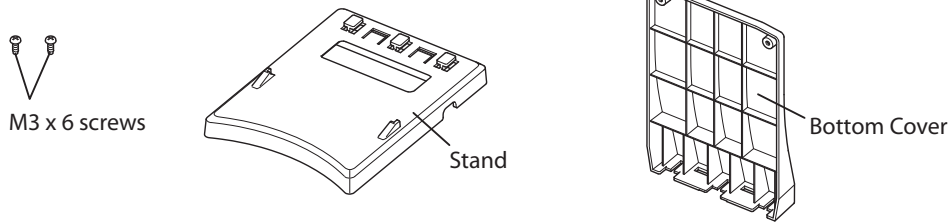


Attaching the TSP100/TSP650 Stand

1. Unpacking : Confirm that all of the accessories are included.



2. Attachment Procedures :

2-1. Assembling the Stand

- ① Position the stand rail with the three openings in the bottom cover. Fit the two projections on the stand into the holes in the bottom cover and press firmly until you hear a clicking sound.
- ② Gently pull on the bottom cover to ensure that it is securely attached.

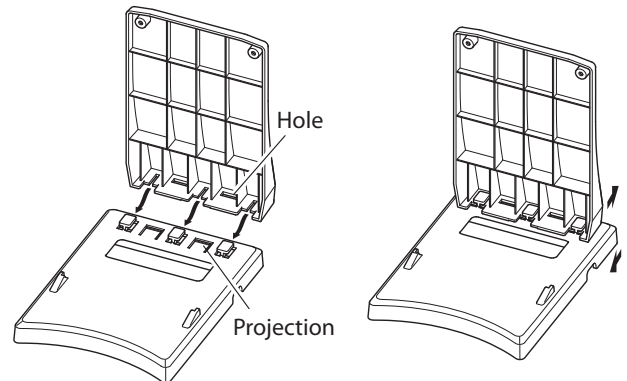


Fig.1 Assembling the Stand

2-2. Connecting the Cables

Pass the cables through the holes in the stand to connect to the connector on the printer.

Note: Depending on the shape of the cable connector, there are cases in which it cannot be installed.

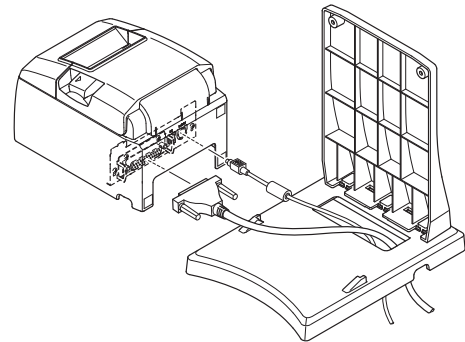


Fig. 2 Connecting the Cables

2-3. Mounting the Printer

Position the corners of the printer with the L portion on the bottom cover and mount it to the stand. Then fasten it with the two screws.

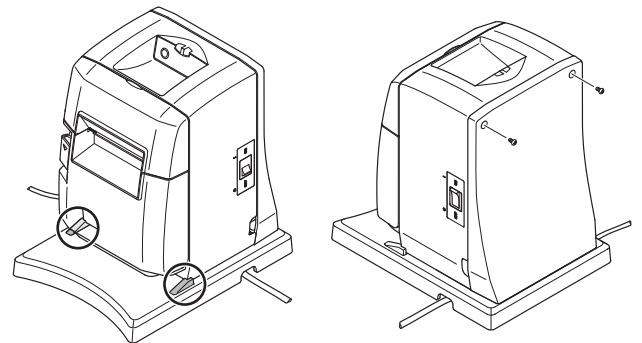


Fig. 3 Mounting the Printer

2-4. Setting Roll Paper

- ① Press the cover open lever to open the printer cover.
- ② Set the roll paper inside the printer as shown in the drawing.

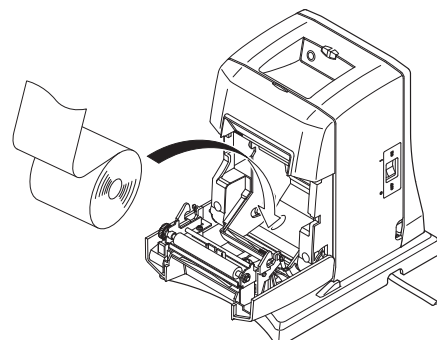


Fig. 4 Setting Roll Paper