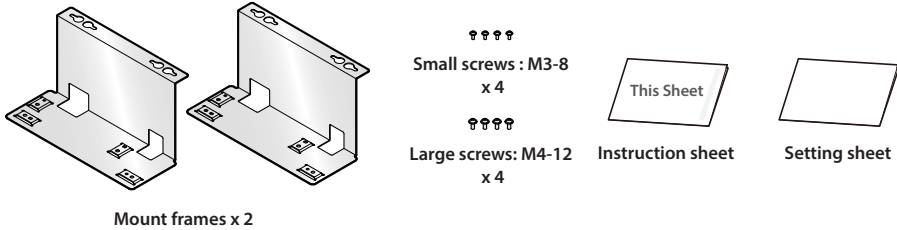


mPOP Under Counter Mount Kit Installation Procedure



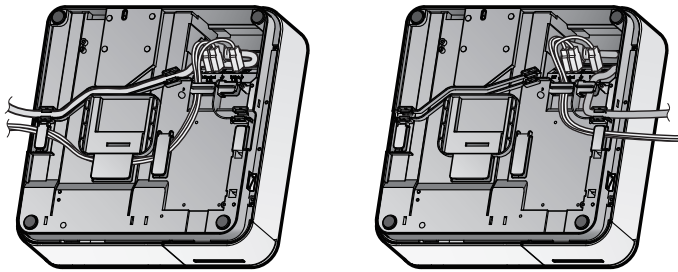
Check the included parts

If any of the included parts are missing or damaged, please contact your vendor.



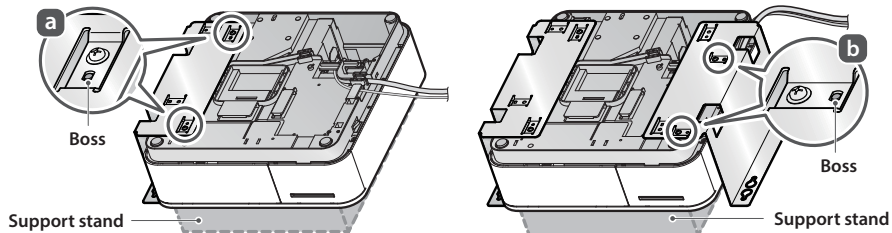
Attach the under counter mount kit to the mPOP main unit

1. Attach the required power and USB cables, and wire up the cables so that they exit via the cable outlets on the left/right of the main unit.



i For further details of the wiring method, refer to [Installation: Wiring up] in the online manual.

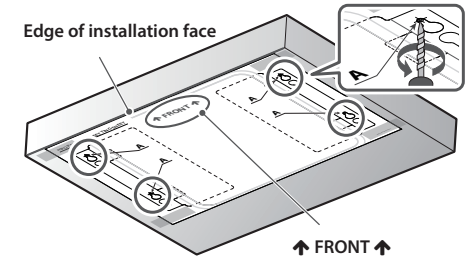
2. Paying careful attention to the orientation of the main unit, align the mounting frame to the mounting boss between the two openings at each of positions **a** and **b**, and fix in place with four small screws (M3-8). At this point, draw the power and USB cables through the gap with the main unit or through the hole in the mount frame.



i Since the mount frame projects higher than the main unit, we recommend carrying out the installation work on a support stand (with a depth of at least 30mm).

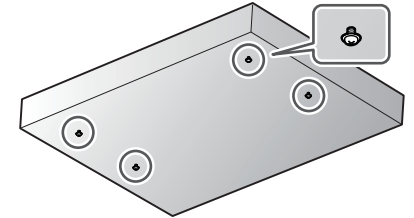
Attach the under counter mount kit to the tabletop

1. Taking the installation template provided with the under counter mount kit, align the edge of the template marked with two arrows and "FRONT" with the edge of the installation face (tabletop) and fix in place with tape or similar. Then, make pilot holes at the four points on the template marked "A" with a drill or similar. [Hole diameter: $\phi 3-3.2\text{mm}$]

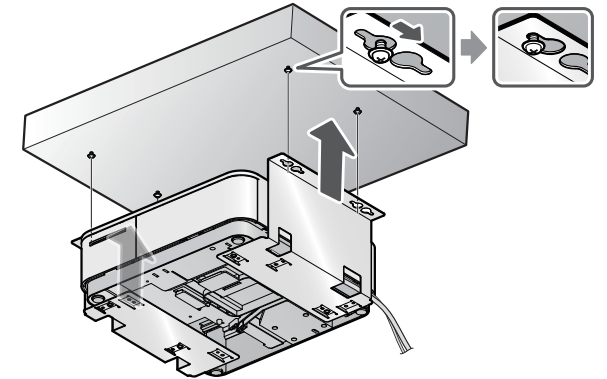


Note: The template can then be removed since it is no longer needed.

2. Screw four large under counter mount kit installation screws (M4-12) halfway into the pilot holes.



3. Checking the front/back orientation of the main unit, place the four large installation holes on the mount frame over the four half-tightened screws, and then slide the frame to the back.



4. Fully tighten the four half-tightened installation screws to fix in place.

Caution:

Depending on the material quality and thickness of the installation face (tabletop), it may not be possible to fix the under counter mount kit using the included screws. In this case, you should take measures to prevent falling as necessary, for example by using screws that are appropriate for the material quality.

